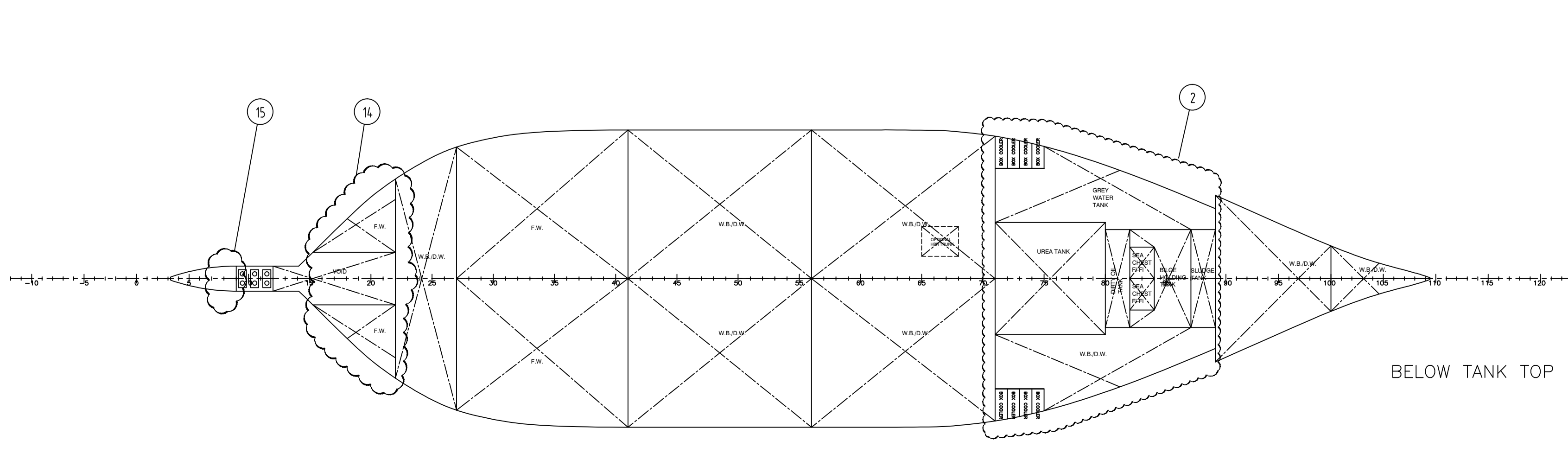
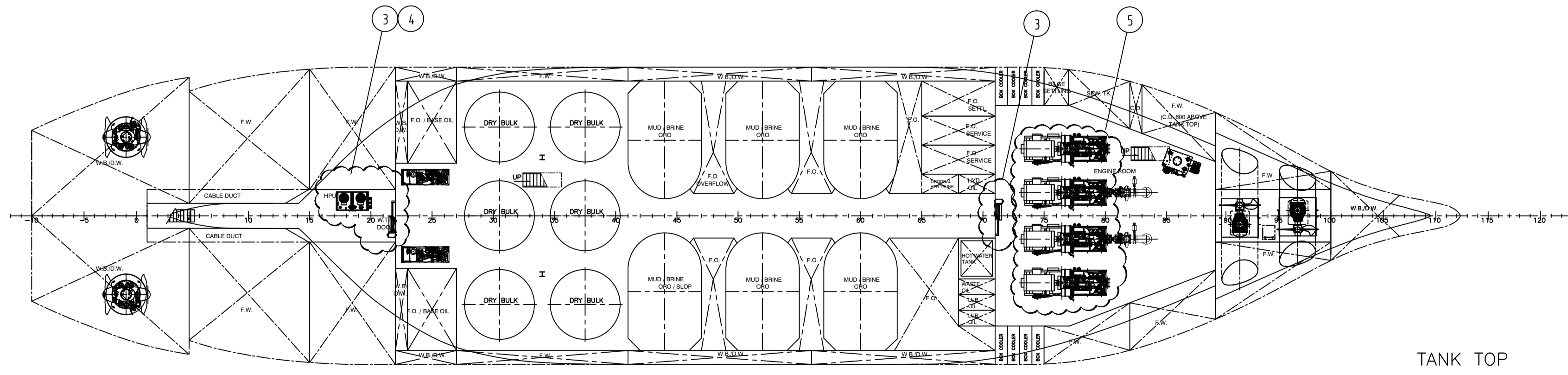
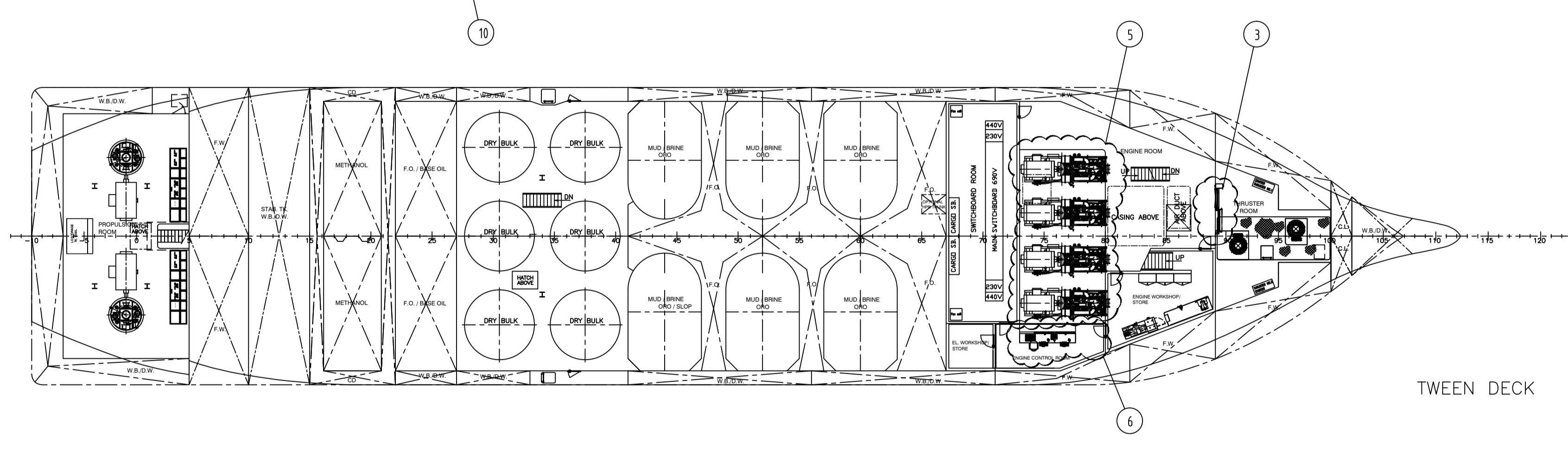
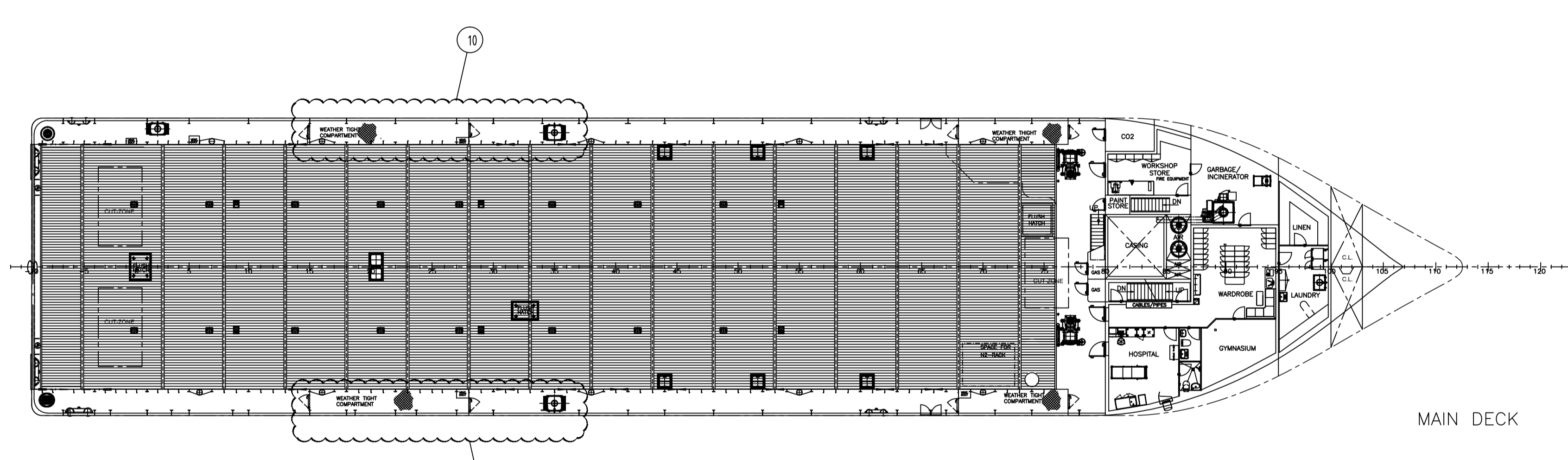
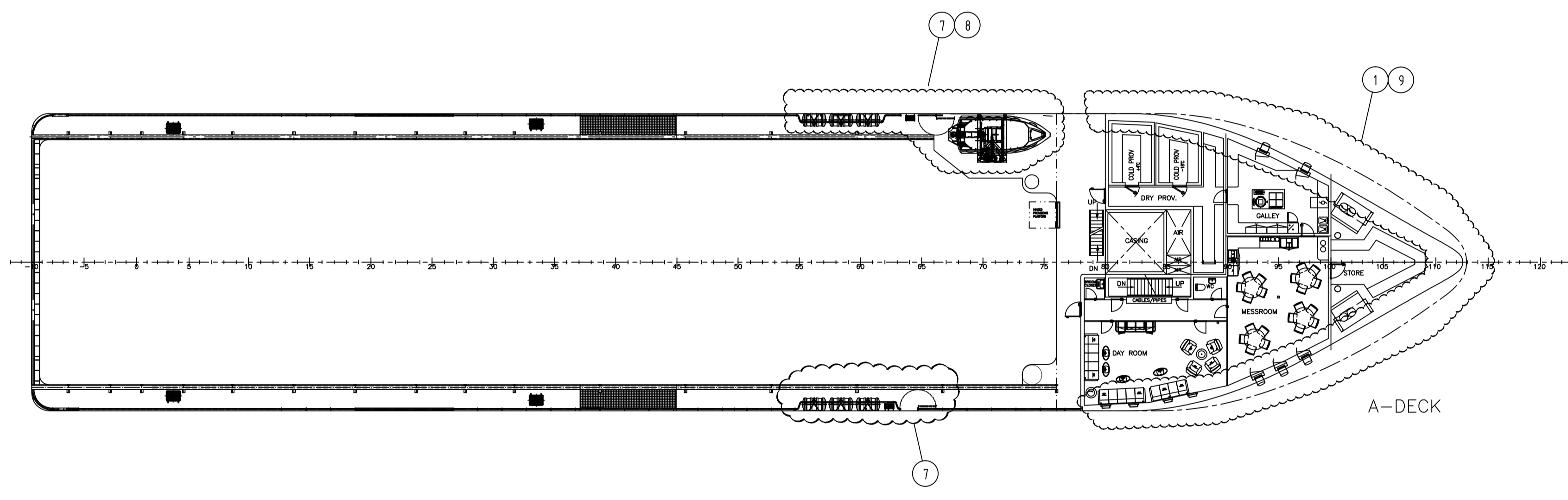
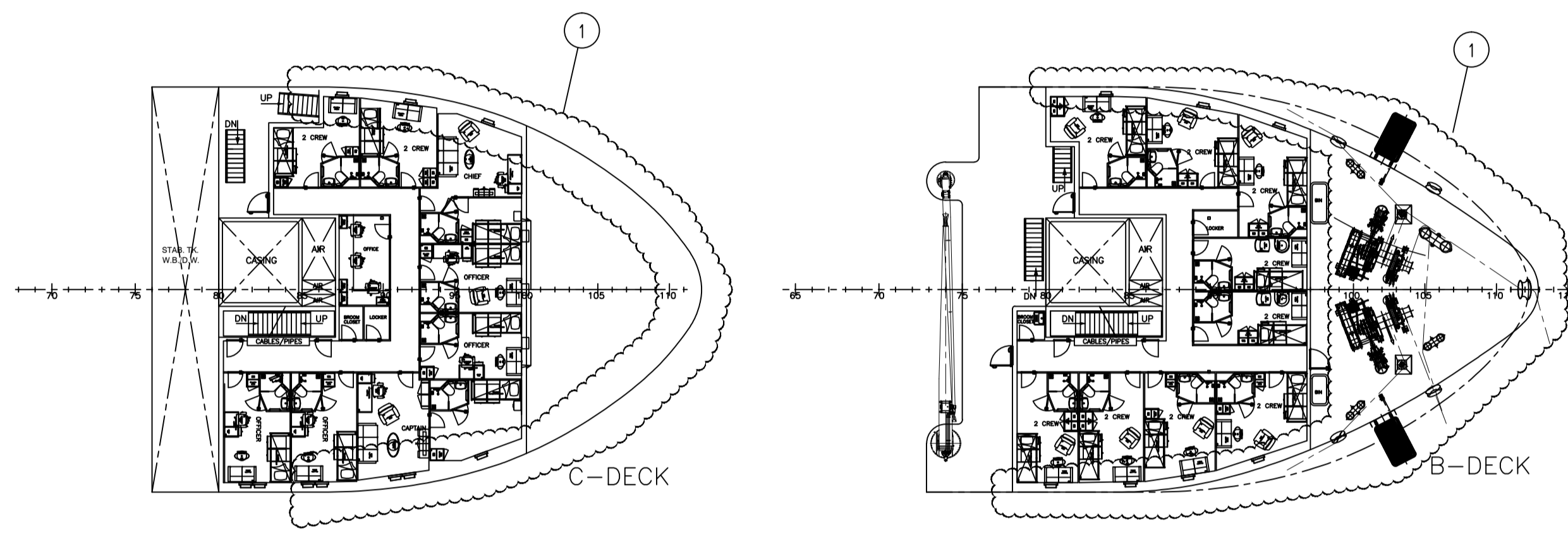
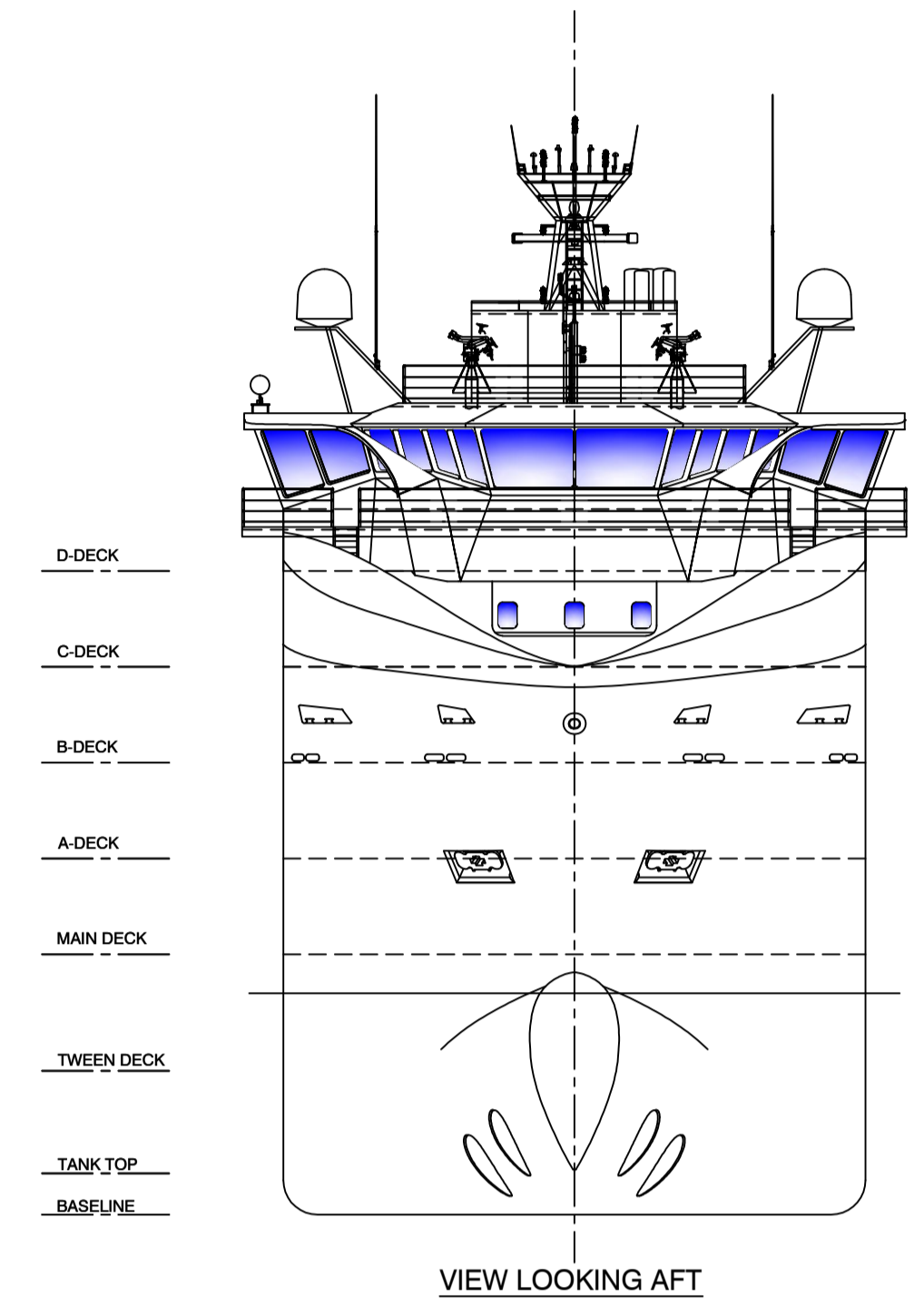
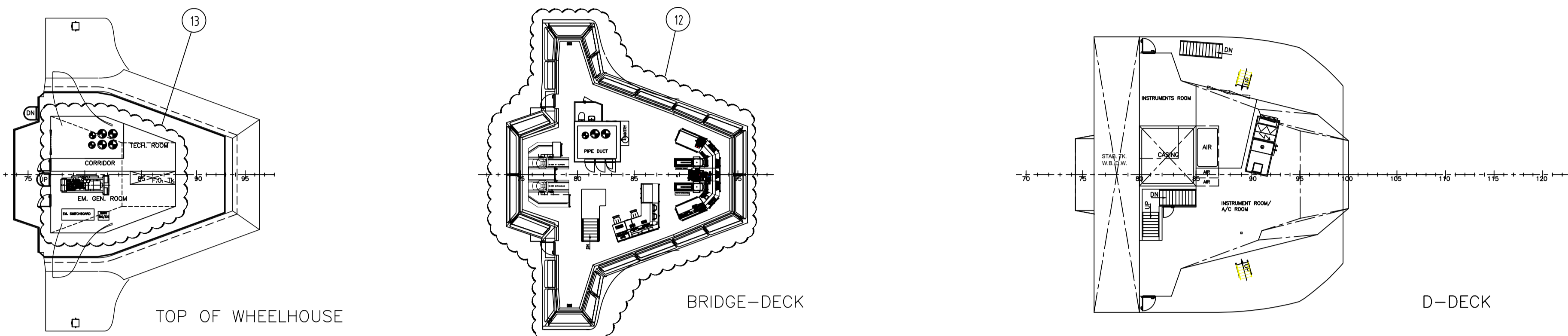


P.S. PROFILE



MODIFICATION ON REV. A	
1.	LINE IN FORE SHIP ABOVE MAIN DECK CORRECTED
2.	TANK ARRANGEMENT IN DOUBLE BOTTOM, FR. 71-89 MODIFIED
3.	WATER TIGHT DOORS, SIZE AND DIRECTION MODIFIER
4.	HPU, RELEVANT SIZE ADDED.
5.	MAIN ENGINE CORRECT TYPE ADDED.
6.	ECR CONSOLE ROTATED
7.	ONE LIFERAFT ADDON ON EACH SIDE (3x16 CAN BE USED)
8.	MOB: BOAT (FRC) INCREASED TO APPROX NORSAFE 530 SIZE
9.	MOORING ARRANGEMENT MODIFIED
10.	WEATHER TIGHT COMPARTMENT MID SHIP MODIFIED
11.	CARGO STATION MIDT SHIP MODIFIED
12.	BRIDGE DECK ARRANGEMENT MODIFIED
13.	TOP OF WHEELHOUSE MODIFIED
14.	TANK ARRANGEMENT IN DOUBLE BOTTOM, FR. 15-22 MODIFIED
15.	ONE BOXCOOLER SEACHEST IN SKEG REMOVED

PSV 05L CD

MAIN PARTICULARS APPROX.

LOA	82.2 m
L.P.P.	74.1 m
BREADTH MLD.	17.0 m
DEPTH MAIN DK.	7.6 m
MAX. DRAUGHT	6.3 m
LIQUID MUD / BRINE	1 000 m ³
DRY BULK	300 m ³
FUEL OIL	1 000 m ³
FRESH WATER	1 050 m ³
WATER BALLAST / DRILL WATER	1 850 m ³
BASE OIL	250 m ³
METHANOL	100 m ³
ORO	1 000 m ³
DECK CARGO (VCG=1m above dk.)	2 100 t
CARGO DECK AREA	810 m ²
DEADWEIGHT	4 000 t
ACCOMMODATION:	
SINGLE CABINS	6 PERSONS
DOUBLE CABINS	22 PERSONS
TOTAL	28 PERSONS

CLASS NOTATION:

Dnv, 1A1, SF, E0, DYNPOS-AUTR(IMO II), DK(+), HL(2.8)
CLEAN DESIGN, NAUT-OSV(A), COMF-V3, LFL*,
OILREC, FI-FI 1

A	06.01.12	GENERAL UPDATES	JS		
0					
REV.	DATE	TEXT	Prepared by:	Checked by:	Appr.:
1	01				
RE: 1055-101-001	1 of 1	ACCORDING TO INTERNATIONAL LAWS, THIS DRAWING IS THE PROPERTY OF STX OSV Design AS. THE DRAWING CAN NOT BE MADE PUBLIC, COPIED OR OTHERWISE USED, WITHOUT OUR WRITTEN CONSENT.			
DRAWN:	TAS/JAG	DATE: 08.12.2011	SCALE: 1:200	NO. NO: 1055-101-001	REV: A
DESIGN:	ME				
OFFER:					
STX OSV Design AS Brunøysving 1 B 6004 Ålesund, Norway Tel: +47 70 21 06 00 www.stxosv.com			PSV 05L CD GENERAL ARRANGEMENT		
NO: STX OSV NORWAY AS	ADDR:	FRM: A0	NOD 838	DESK: PSV 05L CD	